

## Light Action Chrome-Moly Pedal Disassembly

Tools Needed: T-15 Torx Wrench, 9mm Socket and 15mm Open-end Wrench.

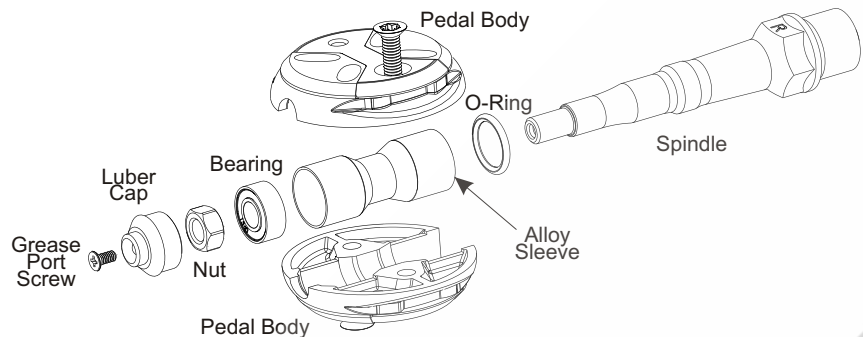
- Step 1. Remove the two body screws with a T-15 torx wrench.
- Step 2. Separate the two halves of the body.
- Step 3. Pull the alloy housing out of the body.
- Step 4. Pull off the luber cap.
- Step 5. Use a 9mm socket to remove the nut from the end of the spindle.
- Step 6. Slide the alloy housing and "O" ring off the spindle.
- Step 7. The cartridge bearing can now be carefully pushed out of the alloy housing from the opposite end.

**Note: Do not attempt to remove the needle bearing from the alloy housing. The needle bearing is permanently pressed into the housing and cannot be removed from the alloy housing.**

## Lubrication and Reassembly

Use a high-quality, waterproof grease on the needle bearing and use a new "O" ring (grease it too) when overhauling Light Action Chrome-Moly Pedals. Any worn or damaged parts should be replaced. Reassembly is accomplished by reversing the order of the above instructions.

- ⚠ WARNING TIGHTEN NUT SECURELY (75 - 85 in lbs).**  
**⚠ WARNING TIGHTEN T-15 BOWTIE SCREWS SECURELY (40 in lbs).**



## Instructions for Quick and Easy Pedal Bearing Lubrication Using the Built-in Grease Port

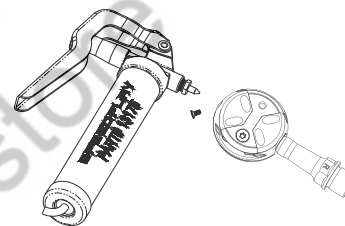
**Note: Do not attempt to remove the needle bearing from the alloy housing. The needle bearing is permanently pressed into the housing and cannot be removed from the alloy housing.**

**⚠ CAUTION Use Grease Only! Never use oil or spray lubes on bearings.**

1. Remove the Grease-Port Screw with a #1 Phillips screw driver.
2. Insert needle-type grease injector gun into grease port hole.
3. Pump gun slowly while turning pedal body slowly until clean grease is visible at spindle end of Pedal body.
4. Wipe off excess grease and reinstall Grease-Port Screw. Note: Over tightening the Grease-Port Screw may strip the threads of the luber cap.

**NOTE: Damage due to the lack of lubrication is not covered by Speedplay's warranty policy.** Speedplay Grease Guns (part #13175) and 3-Packs of Grease (part #13170) are available from Speedplay retailers or call Speedplay at 1-800-468-6694 (PST).

Speedplay Pedal Systems are high performance products. Like all high performance products, Speedplay Pedal Systems require care and maintenance. For a long life and to keep the system functioning as designed, maintain the pedals and cleats as recommended.



## LIMITED (TWO YEAR) WARRANTY

This Speedplay product is warranted under normal usage against defects in workmanship and materials to the original purchaser for a period of two (2) years from the date of purchase free of charge provided the claim is made within thirty (30) days of the discovery of the defect and the following condition is met: The purchaser must obtain advance authorization by calling Speedplay at 800-468-6694 toll free or (858) 453-4707 before returning any product for warranty inspection. A Return Authorization (RA) number will be issued and must conspicuously appear on the outside of the product's packaging. The issuance of an RA number does not constitute acceptance of the claim. The determination of whether the claim is covered by this warranty is within the sole discretion of Speedplay, Inc. The part(s) requiring service or replacement must be returned to Speedplay, either by the purchaser or a Speedplay dealer. Insurance, handling and transportation charges for service shall be borne by the person desiring service. This warranty is limited to the repair or replacement of this product. Speedplay, at its option, will either repair or replace any defective parts.

For a warranty claim to be honored, the following information must accompany the returned product:

- a) A copy of the original dated receipt or other proof of retail purchase.
- b) A detailed description of the problem with the product along with the R.A. number.
- c) Identification of the shoe brand and model used in conjunction with the product.
- d) Estimate of product usage (in accumulated mileage).
- e) Your name, street address (no P.O. boxes) and phone number(s) where you may be reached.
- f) The product must be securely packaged and sent insured through a traceable shipper.

The repaired product or replacement will be returned to the purchaser or the Speedplay dealer usually within two weeks. Product furnished as replacement will continue to be covered under this warranty until two years after the date of original purchase.

Limits and exclusions: Not covered by warranty is damage resulting from normal wear and deterioration occurring from use, accidents, neglect, improper assembly, misuse, abuse, lack of reasonable or proper maintenance, corrosion, any damage resulting from causes other than defects in materials and workmanship; failure or loss by accident, alterations, repairs improperly performed, or replacement parts improperly installed, modifications not recommended or approved in writing by Speedplay, labor costs for removal, or compensation for inconvenience or loss of use while the product is being repaired or replaced. This warranty also does not cover cosmetic imperfections in the surface finish, or appearance of the product which were apparent or discoverable at the time of purchase, or damage during shipment of the product.

There are no warranties which extend beyond the face hereof. All warranties implied by state law, including the implied warranties of merchantability and fitness for a particular purpose, are expressly limited to the duration of the limited warranty set forth above. Some states do not allow limitations on how long an implied warranty lasts, so the above limitation may not apply to you. With the exception of any warranties implied by state law as hereby limited, the foregoing express limited warranty is exclusive and in lieu of all other warranties, guarantees, agreements and similar obligations of manufacturer or seller.

Speedplay is not liable for indirect or consequential damages in connection with the use of this product. Some states do not allow the exclusion or limitation of incidental or consequential damages, so the above limitation or exclusion may not apply to you.

No person, independent representative, agent, distributor, dealer (including any Speedplay dealer) or company is authorized to change, modify or extend the terms of this warranty in any manner whatsoever. This warranty gives you specific legal rights; you may also have other rights which vary from state to state.

**CHROME-MOLY PEDAL SYSTEM**  
**SPEEDPLAY**  
**LIGHT ACTION**  
 HAND OVER INSTRUCTIONS TO CUSTOMER  
 RECOMMENDED FOR RECREATIONAL NONCOMPETITIVE  
 ROAD RIDING, NOT FOR COMPETITION.  
**IMPORTANT**  
 FAILURE TO FOLLOW THESE  
 INSTRUCTIONS AND WARNING  
 STATEMENTS BEFORE ASSEMBLING  
 AND USING THIS SYSTEM MAY  
 RESULT IN SERIOUS PERSONAL INJURY



**SPEEDPLAY**  
 10151 PACIFIC MESA BLVD., #107  
 SAN DIEGO, CA 92121 (858) 453-4707  
 1-800-468-6694 WWW.SPEEDPLAY.COM

Speedplay Pedal Systems are protected by US Patent Nos. 4,942,778; 5,213,009; 5,862,716;  
 5,325,738 & 5,546,829; Rep. of China Pat. Nos. UM-116299 & UM-128940;  
 EPO Pat. Nos. 0604400 & 0408208; Japanese Pat. No. 2909649;  
 Other US and Int'l Patents pending

## GENERAL SAFETY INFORMATION

### **⚠️ WARNING TO AVOID SERIOUS INJURIES:**

- Bicycle dealers -- be sure to give all instructions and warranty information to end customer.
- Riding bicycles is an inherently dangerous activity. All bicycle parts, both new and used, must be inspected carefully before use, and riders must exercise judgment as to each part's safety. All bicycle components should be inspected for safety on a regular basis, preferably before each ride.
- Read all instructions carefully before using this product. Failure to follow these instructions and warning statements before assembling and using this system may result in severe injury. Improper mounting and/or use of this product can result in severe injury. Clipless Pedals are not for beginner riders.
- Recommended for recreational noncompetitive road riding. Speedplay Light Action Pedals are not recommended for off-road use.
- Speedplay Pedals are not equipped with reflectors and are not intended for nighttime or other reduced visibility riding conditions. Do not expect Speedplay Pedals to improve your chances of being seen in conditions of darkness or reduced visibility. Always use a proper headlight and taillight when riding at any time of reduced visibility.
- If you have any doubts about your ability to correctly install Speedplay Pedals or Cleats, or if you are unsure about the extent of wear to any Speedplay Pedal or Cleat part, please return it to your dealer for proper installation or inspection, or call Speedplay at 1-800-468-6694 (Pacific Standard Time). If you have any questions or concerns about issues such as shoe compatibility, operating the release mechanism, the intended use of the Pedals, or the maintenance of this product, call Speedplay toll free at 1-800-468-6694 (Pacific Standard Time).
- The Left and Right Cleats of Light Action pedals are different. Be sure to install the Cleat marked "LEFT" on the LEFT shoe and the Cleat marked "RIGHT" on the RIGHT shoe. Before mounting Speedplay Cleats to any shoe, make sure that the brand and model of shoe selected is compatible with Speedplay Cleats. Not all shoes are compatible with Speedplay Cleats. Using Speedplay Cleats with shoes that are not compatible could cause the Pedal System to disengage unexpectedly and cause a fall that could result in severe injury. See **Year 2009 Speedplay Road Shoe Compatibility Guide** to check for shoe compatibility. For the most current information on shoe compatibility, visit the **Speedplay Road Shoe Compatibility Guide** online at [www.speedplay.com](http://www.speedplay.com) or contact Speedplay toll free at 1-800-468-6694 (PST).
- Be sure to use the correct length of Speedplay Cleat Mounting or Fastening Screws. See **Year 2009 Speedplay Road Shoe Compatibility Guide**. Do not use Speedplay Cleat Mounting or Cleat Fastening screws that are too short to fully engage the threads of the corresponding fastener located in the shoe. If the screws are too short, the screws may not sufficiently engage the corresponding threads causing the Cleat to come off the shoe which can lead to a fall that can result in severe injury. **ONLY use Speedplay mounting hardware with Speedplay Cleats.**
- Always tighten the threaded screws or nuts on the Pedals and Cleats to the recommended torque settings for each part. See instructions for **Pedal Mounting** and **Steps for Attaching Light Action Cleats to the Shoes**. Over-tightening a threaded part may cause serious damage to the part or prevent it from working properly. Under-tightening threaded parts can cause a part to become loose and fall out. Either under-tightening or over-tightening a threaded part can lead to a fall that can result in severe injury. Over-tightening Speedplay Cleat Fastening screws prevents the springs from operating properly, can affect engagement and retention, and can cause the springs to break, which can lead to a fall that can result in severe injury.
- Speedplay Light Action Pedals and Cleats require routine lubrication and cleaning to prevent serious injury while riding. See **Instructions for Routine Light Action Cleat Maintenance** and **Routine Light Action Pedal Bearing Lubrication**. Keep all Pedal and Cleat parts clean of debris and properly lubricated in order to ensure proper engagement and release. Speedplay Light Action Pedals require the Cleat springs to be lubricated routinely with a dry-type lubricant. Light Action Pedals and Cleats wear out over time and must be replaced. **Never** install cleats using new cleat parts and old cleat parts. To prevent serious injury while riding, be sure your entire bicycle is adequately maintained and that all components are correctly installed and adjusted.
- **Never** ride with Speedplay Pedals or Cleats that are improperly installed, modified or excessively worn. Remember to check the Cleats and Pedals periodically for wear. When parts exhibit noticeable "play" or are visibly worn, replace them immediately. **Never** install cleats using new cleat parts and old cleat parts. A loose, over-tightened, damaged, unlubricated, or worn part may cause the Pedal System to disengage unexpectedly and cause a fall that could result in severe injury.
- Before your first ride with these Pedals, all riders should engage and disengage each Pedal with one foot on the ground on a level, safe place until you are adept and comfortable with all operations of the Speedplay Light Action Pedal System. Whenever you ride at slow speed or whenever you are stopping, release your shoes from your Pedals beforehand so that you can quickly place your foot on the ground at any time. Speedplay Pedals are not designed to release automatically at times such as when falling off the bicycle. This is a safety measure to prevent you from losing balance and falling off the bicycle as a result of your feet becoming accidentally released from the Pedals.
- **Do not attempt to engage Speedplay Light Action Cleats onto Speedplay X Pedals or Zero Pedals.** Speedplay Light Action Cleats and Pedal Systems are not designed to be compatible with Speedplay X Series Pedals or Zero Pedals. **Use only Light Action Cleats with Light Action Pedals.** Any effort to engage or use Light Action Pedals and cleats with any other Speedplay Pedal System may cause permanent damage to the Pedals or severe injury.
- Failure to follow these warning statements and instructions before assembling and using this Pedal System may result in severe injury.

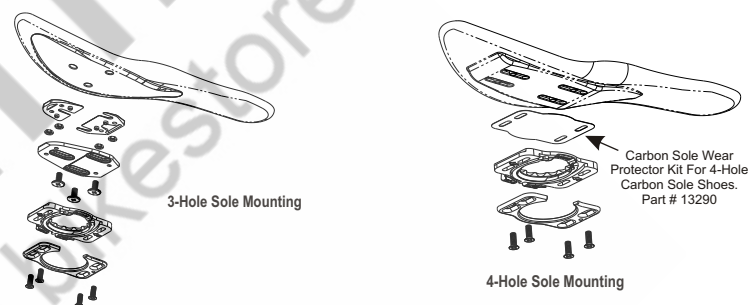
## BASIC OPERATION

Speedplay Light Action Pedals are dual sided for convenient entry. The safest way to engage the pedals is to keep one foot on the ground, place your other foot on the pedal with the ball of your foot flat and push downward. Lowering your heel and adding a bit of a twist to the downward push aids entry. No toe-in or heel-in technique is required. It makes no difference what position the pedal is in when you step down on it because Light Action pedals are "self-locating" and "self-righting". Pedal release is accomplished by turning your heel outward while lifting upward. Light Action Pedals are not designed to release automatically at times such as when falling off the bicycle. See **WARNINGS** under **GENERAL SAFETY INFORMATION**.



## PEDAL MOUNTING INSTRUCTIONS

Mount the Pedals to the bicycle crank arms. Use a 15mm open-ended wrench to mount the Pedals on the crank arms. The right Pedal has right-hand threads and the left Pedal has left-hand threads. Minimum tightening torque = 250 inch pounds.



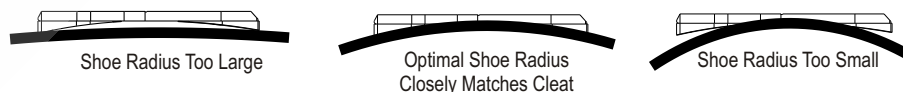
## CLEAT MOUNTING

The Light Action Cleat consists of three layers and is designed to fit shoes with a 3-hole mounting pattern and a curved sole. Shoes with a 3-hole pattern use all three layers of the Speedplay Light Action Cleat (Black plastic Base Plate with factory-installed set of Gray 1-F and 1-R Snap Shims, Silver Spring Housing and Gold Metal Bottom Plate). Light Action Cleats also fit shoes with a flat, 4-hole pattern. Shoes with a 4-hole pattern use only the two outer layers (Silver Spring Housing and Gold Metal Bottom Plate) of the Speedplay Light Action Cleat. See **STEPS FOR ATTACHING LIGHT ACTION CLEATS TO THE SHOES**.

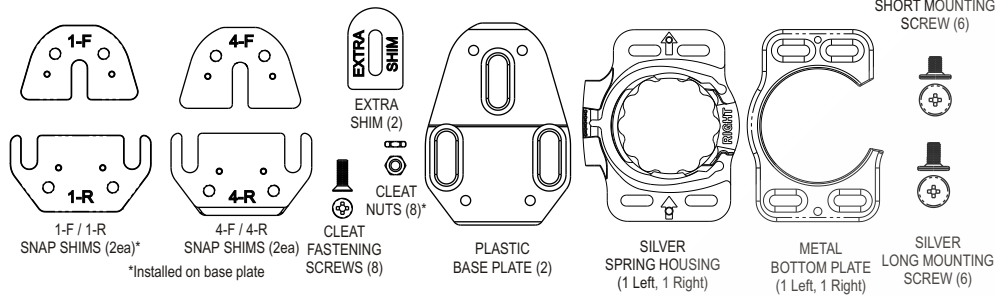
### Ensure Cleat to Shoe Compatibility Prior to Installation

Shoes with a 3-Hole pattern require all three layers of the Speedplay Light Action Cleat (Black plastic Base Plate with factory-installed Gray 1-F and 1-R set of Snap Shims, Silver Spring Housing and Gold Metal Bottom Plate). The Speedplay Light Action Cleat includes a second set of Snap Shims, 4-F and 4-R Snap Shims, in the package. Your choice of Snap Shims will depend on the radius of the curvature of the shoe sole. The Snap Shims, which can easily be removed from and installed on the Black plastic Base Plate, must closely match the curvature of the shoe sole. With Snap Shims mounted, the side of the Base Plate with the Snap Shims will have a curved profile and the opposite side will be flat. The curved side of the Base Plate mounts against the curved shoe sole. The shoe sole must have a continuous curvature (radius) and be flat from side-to-side at the Cleat-contact area to closely match the contour of the Base Plate. The minimum compatible shoe sole radius requires the set of two (2) Gray 4-F and two (2) Gray 4-R Snap Shims. If the curved side of the Base Plate with either set of Snap Shims installed does not closely match the curvature of your shoe sole, please call Speedplay, toll free, for technical assistance at 1-800-468-6694 (PST). Speedplay Light Action Cleats that are mounted against 3-hole curved shoe soles with a radius that is too large or too small will bow the Cleat either inward or outward and the Cleat will not function properly. See **WARNINGS** under **GENERAL SAFETY INFORMATION**.

If you have any questions or concerns about 1) shoe compatibility, 2) the proper installation of the Speedplay Light Action Cleat parts on your shoes, or 3) if the curved side of the Base Plate with either set of Snap Shims installed does not closely match the curvature of your shoe sole, call Speedplay for technical assistance toll free at 1-800-468-6694 (PST).



## CHECKLIST OF LIGHT ACTION CLEAT PARTS



## STEPS FOR ATTACHING LIGHT ACTION CLEATS TO THE SHOES:

### Using Shoes with 3-Hole Mounting Pattern

1. Select the LEFT cleat for the LEFT shoe and the RIGHT cleat for the RIGHT shoe. Determine which set of Snap Shims is required for your shoes (set of 1-F and 1-R or set of 4-F and 4-R). See **Year 2009 Speedplay Road Shoe Compatibility Guide**. The Snap Shims are removable, curved, gray plastic shims that snap onto the forward and rear ends of the underside of each Black plastic Base Plate. The Snap Shims allow the flat Black plastic Base Plate to closely match the curvature of the sole of most shoe brands. Remember, the shoe sole must have a continuous curvature (radius) and be flat from side-to-side at the Cleat-contact area to closely match the contour of the Base Plate. The 1-F & 1-R Snap Shims are factory-installed on the Base Plate. If your shoes require the two 4-F and two 4-R Snap Shims, first remove the two 1-F and two 1-R Snap Shims by carefully prying them off each Base Plate, then install the two 4-F and two 4-R Snap Shims. Be sure not to lose the four (4) nuts housed underneath the Snap Shims on each Base Plate when exchanging one set of Snap Shims for another.
2. Select the proper length 5mm flathead Cleat Mounting Screws (6) to attach the Cleat Base Plate to the shoe sole. (Black = short screws; Silver = long screws.) The correct length of the 5mm Mounting Screws must have a minimum of five (5) full turns of thread engagement in the shoe sole. Use only the Speedplay 5mm mounting screws provided with the Pedals as other screws will not work and may cause damage to the Cleats and Pedals.

**WARNING** You must make sure to choose the proper length Speedplay 5mm mounting screws suited for your brand and model of shoe. If the Speedplay 5mm mounting screws selected are too short to sufficiently engage the threads in the sole of your shoe, the Light Action Cleat may pull away from the shoe unexpectedly, causing a fall that could result in severe injury. If the Speedplay 5mm mounting screws selected are too long for your shoe sole, the screws may protrude through the threaded inserts in the sole and up into the foot bed of the shoe, causing discomfort when riding.

**WARNING** Never install Light Action Cleats using new cleat parts and old cleat parts.

3. Place a Light Action Cleat Base Plate (black plastic) on the sole of the LEFT shoe and a Light Action Cleat Base Plate on the sole of the RIGHT shoe. The slots in each Base Plate allow front-to-back Cleat adjustment.

4. Position each Light Action Cleat Base Plate centerline scribe mark over the ball of the foot or where personal preference dictates. Insert the correct length Speedplay 5mm Cleat Mounting screws (see 2. above) and tighten the three (3) screws on each Base Plate securely with a #2 phillips screwdriver. **Note:** If a greater range of either forward or rearward adjustment is needed, use the Speedplay Aluminum Fore-Aft Extender Base Plate Kit (Part #13330 sold separately) in place of the standard black plastic Light Action Base Plate.

**WARNING** DO NOT over-tighten -- Maximum Mounting Screw Torque is 35 inch pounds. Over tightening the 5mm mounting screws may cause damage to the Base Plate. See **WARNINGS** under **GENERAL SAFETY INFORMATION**.

### CAUTION IMPROPERLY MOUNTED LIGHT ACTION CLEAT BASE PLATE

The Light Action Base Plate is improperly mounted on the shoe when using the factory-installed 1-F and 1-R Snap Shims if:

#### a) The outer flat surface of the Base Plate is bowed outward:

If the Base Plate is **bowed outward in the center**, use the 4-F and 4-R set of Snap Shims, which is designed to fit a smaller radius sole curvature. Before installing the 4-F and 4-R Snap Shims, be sure to remove the original factory mounted 1-F and 1-R Snap Shims from the Base Plate. **Note:** If the Base Plate continues to bow outward in the center when using the 4-F and 4-R Snap Shims, install the supplied EXTRA SHIM between the front 4-F Shim and the shoe sole, and under the front mounting screw to further reduce the radius of the Light Action Cleat.

#### b) The outer flat surface of the Base Plate is bowed inward:

If the Base Plate is **bowed inward in the center**, call Speedplay technical assistance toll free at 1-800-468-6694 (PST).

#### c) The Base Plate has a twist from front to back:

If the Base Plate is **twisted** when mounted, the supplied EXTRA SHIM must be installed between the shoe sole and the Base Plate. Place the EXTRA SHIM under the appropriate rear mounting screw to raise the low side of the Base Plate to make it flat.

**CAUTION** The flat surfaces of the Light Action Cleat Spring Housing (Silver) and Metal Bottom Plate (Gold) must fit flat against each other and against the plastic Base Plate (Black) when fitted together as an assembly and installed for the Light Action Pedal System to engage securely and release properly.

5. The Light Action Cleat Spring Housing (Silver) and Metal Bottom Plates (Gold) snap together to form an assembly. Make sure the small locator pins protruding out of each silver Spring Housing fit properly into the corresponding alignment holes in each gold Metal Bottom Plate. The word "LEFT" on the LEFT Spring Housing should be visible after the LEFT Metal Bottom Plate has been correctly placed on the LEFT Spring Housing. The word "RIGHT" on the RIGHT Spring Housing should be visible after the RIGHT Metal Bottom Plate has been correctly placed on the RIGHT Spring Housing. Once each Spring Housing and Metal Bottom Plate are fitted together, place the Spring Housing and Metal Bottom Plate assembly marked "LEFT" on the Base Plate installed on the LEFT shoe and place the Spring Housing and Metal Bottom Plate assembly marked "RIGHT" on the Base Plate installed on the RIGHT shoe.
6. Thread, but do not fully tighten, the four (4) 4x11mm Cleat Fastening screws through the slots in the Metal Bottom Plate and Spring Housing assembly on the LEFT shoe and into the threaded holes in the Black plastic Base Plate on the LEFT shoe. Repeat for the RIGHT shoe.
7. Side-to-side Light Action Cleat adjustment - Once the LEFT Spring Housing and LEFT Metal Bottom Plate assembly are fastened to the Base Plate installed on the LEFT shoe, engage the shoe with the LEFT cleat assembly onto the LEFT Speedplay Light Action Pedal installed on your bicycle. Adjust the LEFT Spring Housing and Metal Bottom Plate of the Cleat assembly from side-to-side to provide adequate clearance between the toe box and the heel of the LEFT shoe and the crank arm of the bicycle. The toe box of the shoe should clear the crank arm when releasing from the pedal. The heel of the shoe should be clear of the crank arm during the pedal stroke. Repeat for the RIGHT shoe. If the toe box or heel of your shoes does not clear the crank arms of your bicycle, contact Speedplay for technical assistance toll free at 1-800-468-6694 (PST).
8. Once side-to-side positioning of the LEFT Light Action Cleat is selected to provide adequate clearance for the toe box and heel of the shoe, thread the four (4) 4x11mm Cleat Fastening Screws until resistance is felt and then tighten no more than 1/4 turn with a #2 phillips screwdriver. Repeat for the RIGHT shoe.

**WARNING** The Maximum Fastening Screw Torque = 20 inch pounds. DO NOT over tighten Light Action Cleat Fastening Screws. See **WARNINGS** under **GENERAL SAFETY INFORMATION**.

**WARNING** IF THE LIGHT ACTION CLEAT 4X11mm CLEAT FASTENING SCREWS ARE OVER TIGHTENED, THE CLEAT SPRINGS MAY BIND IN THE CLEAT AND NOT ENGAGE THE GROOVES IN THE PEDALS CORRECTLY, AND INADVERTENT RELEASE MAY OCCUR CAUSING A FALL THAT COULD RESULT IN SEVERE INJURY. See **WARNINGS** under **GENERAL SAFETY INFORMATION**.

**WARNING** Before your first ride with the Light Action Pedal System, separately engage the LEFT shoe with Cleat onto the LEFT Pedal and the RIGHT shoe with Cleat onto the RIGHT Pedal. When the Light Action Cleats are mounted correctly, the Light Action Pedals should float in the Light Action Cleat with little resistance and should emit a crisp, audible snap when the cleat springs engage the grooves of the pedals. **SPEEDPLAY LIGHT ACTION CLEATS MUST BE PROPERLY MOUNTED OR INADVERTENT RELEASE MAY OCCUR CAUSING A FALL THAT COULD RESULT IN SEVERE INJURY.**

## Using Shoes with 4-Hole Mounting Pattern

1. Plastic shoe soles with a 4-Hole pattern eliminate the need for the standard Light Action Cleat Base Plate (Black). For shoes with a 4-Hole pattern, the LEFT and RIGHT Spring Housing (Silver) fit directly against the shoe sole.

**CAUTION** Carbon Fiber Shoe Soles with a 4-Hole pattern These shoes require the Speedplay Stainless Steel Wear Protector Shim Kit (Part # 13290 sold separately) to be installed between the silver Spring Housing and the carbon fiber shoe sole. If the Stainless Steel Wear Protector Shim is not used, serious wear damage to the carbon fiber shoe sole and the Light Action Cleat will result. (Shoe soles made of plastic do not require the Stainless Steel Wear Protector Shim).

2. The Light Action Cleat Spring Housings (Silver) and Metal Bottom Plates (Gold) snap together to form an assembly. Make sure the small locator pins protruding out of each Spring Housing properly fit into the corresponding alignment holes in each Metal Bottom Plate. The word "LEFT" on the LEFT Spring Housing should be visible after the LEFT Metal Bottom Plate has been correctly placed on the LEFT Spring Housing. The word "RIGHT" on the RIGHT Spring Housing should be visible after the RIGHT Metal Bottom Plate has been correctly placed on the RIGHT Spring Housing. Once each Spring Housing and Metal Bottom Plate are fitted together to form an assembly, place the Spring Housing and Metal Bottom Plate assembly marked "LEFT" directly against the plastic shoe sole of the LEFT shoe and place the Spring Housing and Metal Bottom Plate assembly marked "RIGHT" directly against the plastic shoe sole of the RIGHT shoe. **Remember, for shoes with carbon fiber soles, you MUST use the Speedplay Stainless Steel Wear Protector Shim Kit (Part #13290 sold separately).** See 1. above.

3. Thread, but do not fully tighten, the four (4) 4x11mm Cleat Fastening Screws through the slots in the Metal Bottom Plate and Spring Housing and into the threaded holes in the LEFT shoe. The combined Spring Housing and Metal Bottom Plate provide side-to-side adjustment of the Cleat. The correct length of the 4mm Fastening Screws must have a minimum of five (5) full turns of thread engagement in the shoe sole. Repeat for the RIGHT shoe.

**⚠️ WARNING** If the threaded inserts in the shoe sole slots are recessed below the surface of the shoe sole, special longer Speedplay 4x13mm Cleat Fastening Screws (Part # 13295 sold separately) or 4x15mm Cleat Fastening Screws (Part #13015 sold separately) MAY be needed to provide adequate thread engagement, i.e. five (5) full turns. See WARNINGS under GENERAL SAFETY INFORMATION. If you have any questions or concerns about whether the Light Action Cleat is properly installed on your shoes or which longer screw kits should be used, call Speedplay toll free at 1-800-468-6694 (PST).

4. Side-to-side Light Action Cleat adjustment - Once the LEFT Spring Housing and LEFT Metal Alloy Bottom Plate assembly are fastened to the LEFT shoe, engage the shoe with the LEFT cleat assembly onto the LEFT Speedplay Light Action Pedal installed on your bicycle. Adjust the LEFT Spring Housing and Metal Bottom Plate assembly from side-to-side to provide adequate clearance between the toe box and heel of the LEFT shoe and the crank arm of the bicycle. The heel of the shoe should be clear of the crank arm during the pedal stroke. Repeat for the RIGHT shoe. If the toe box or heel of your shoe does not clear the crank arm of your bicycle, call Speedplay for technical assistance toll free at 1-800-468-6694 (PST).

5. Once side-to-side positioning of the LEFT Light Action Cleat is selected to provide adequate clearance for the toe box and heel of the shoe, thread the 4x11mm screws (or longer screws if required, part #13295 (4x13mm) or part #13015 (4x15mm)) until resistance is felt and then tighten no more than 1/4 turn with a #2 phillips screwdriver. Repeat for the RIGHT shoe.

**⚠️ WARNING** Maximum Fastening Screw Torque = 20 inch pounds. DO NOT over-tighten Light Action Cleat Fastening Screws. See WARNINGS under GENERAL SAFETY INFORMATION.

**⚠️ WARNING** IF THE LIGHT ACTION CLEAT 4X11mm or LONGER CLEAT FASTENING SCREWS ARE OVER-TIGHTENED, THE CLEAT SPRINGS MAY BIND IN THE CLEAT AND NOT ENGAGE THE PEDALS CORRECTLY, AND INADVERTENT RELEASE MAY OCCUR CAUSING A FALL THAT COULD RESULT IN SEVERE INJURY. See WARNINGS under GENERAL SAFETY INFORMATION.

**⚠️ WARNING** Before your first ride with the Light Action Pedal System, separately engage the LEFT shoe with Cleat onto the LEFT Pedal and the RIGHT shoe with Cleat onto the RIGHT Pedal. When the Light Action Cleats are mounted correctly, the Light Action Pedals should float in the Light Action Cleat with little resistance and should emit a crisp, audible snap when the cleat springs engage the grooves of the pedals. **SPEEDPLAY LIGHT ACTION CLEATS MUST BE PROPERLY MOUNTED OR INADVERTENT RELEASE MAY OCCUR CAUSING A FALL THAT COULD RESULT IN SEVERE INJURY.**

#### ROUTINE LIGHT ACTION CLEAT MAINTENANCE

Light Action Pedals require the Light Action Cleat springs and pedal contact area to be lubricated routinely with a dry-type (PTFE) lubricant such as Super-Lube Dry Film, RD-50, DuPont Performance Dry, Liquid Wrench Dry-Lube, Pro Gold, Finish Line Dry Lube etc. preferably every one or two rides. Routine lubrication extends the life and is necessary for the performance of Speedplay Pedal Systems. **Wet lubricants (oil, WD-40 etc.) are not recommended** as they attract dirt which accelerates wear. Lack of lubrication (and/or over tightening) can prevent the springs from opening properly during engagement and can cause jammed springs to break over time. **NOTE:** Damage as a result of lack of lubrication or improper installation is not covered by Speedplay's warranty policy.

**⚠️ WARNING** If for any reason the Light Action Cleat springs should become clogged with debris and do not open and close completely, the spring cavities must be cleaned thoroughly and re-lubricated before riding so that the springs can open and close properly. **RIDING WITH CLEAT SPRINGS CLOGGED WITH DEBRIS COULD RESULT IN DIFFICULT ENGAGEMENT, DIFFICULT DISENGAGEMENT OR INADVERTENT RELEASE CAUSING A FALL THAT COULD RESULT IN SEVERE INJURY.** Any part of the Light Action Cleats or Pedals showing damage or noticeable wear should be replaced immediately. **Never install cleats using any combination of new cleat parts and old cleat parts.** It is recommended that Light Action Cleats be replaced at least every 3000-5000 miles of use or whenever the parts show visible wear.

If you have any questions or concerns about the maintenance of Light Action Cleats or whether your Light Action Cleats should be replaced, call Speedplay toll free at 1-800-468-6694 (PST).

#### ROUTINE LIGHT ACTION PEDAL BEARING LUBRICATION

The precision bearings in Speedplay Light Action Pedals require greasing from time to time.

**NOTE:** Speedplay Light Action Pedals require service if they either spin without the slight resistance of the protective "O" ring or if any grinding sensation is detected.

**NOTE:** Always use a high quality WATERPROOF BEARING GREASE. Never use a liquid spray lubricant or oil on Speedplay Pedal bearings. Speedplay recommends that the Light Action Pedal bearings be greased with a pump-type grease gun at least every 2000 miles or every three months. Grease bearings more frequently if used in unusually wet or dusty conditions. With sufficient grease present, the pedal should not spin freely. The pedal should always have a small amount of resistance as a result of the grease. If the pedal rotates freely by more than one half turn, the pedal needs greasing.

**NOTE:** Damage due to the lack of lubrication is not covered by Speedplay's warranty policy. Speedplay Grease Guns and Grease are available from Speedplay retailers or call Speedplay at 1-800-468-6694 (PST).

#### Leg-Length Discrepancy?

The Speedplay Leg-Length Shim Kits (part #13220 sold separately) can be used to shim the Light Action Cleat in 1/3 cm (~1/8 inch) increments to correct leg length discrepancies. Call Speedplay for technical assistance toll free at 1-800-468-6694 (PST).

## Year 2009 Speedplay Road Shoe Compatibility Guide\*\*\* SHOES COMPATIBLE WITH FACTORY-INSTALLED 1-F AND 1-R SNAP-SHIMS

Gaerne	*Northwave	*Shimano	*Time
Look	*Pearl Izumi	*Sidi	Vittoria
Luck	*Performance	SixSixOne	
Nike	*Rocket 7	*Specialized	

\*See excepted models below

#### COMPATIBLE SHOES REQUIRING ALTERNATIVE CLEAT INSTALLATION

**adidas 4-hole:** Omit base plate. See 4-HOLE CARBON-FIBER SOLES.

**adidas '06 & Earlier:** Use 1-F and 1-R Snap-Shims.

**Carnac insert-type:** Omit base plate. Use Carnac-supplied UCS3 insert. Requires Speedplay 4x15-8 Cleat Fastening Screws (Part #13015).

**Diadora:** \*\*Remove 1-F and 1-R Snap Shims and install 4-F and 4-R Snap Shims.

**Diadora Alu:** Call Speedplay for installation instructions.

**Diadora Multiplad:** Omit base plate. Use Diadora-supplied Time/Speedplay insert.

**DMT:** \*\*Remove 1-F and 1-R Snap Shims and install 4-F and 4-R Snap Shims. May require "Extra Shim" under rear-outboard screw of each base plate.

**DMT insert-type:** \*\*Remove Snap-Shims from base plate. Sole must be modified to allow rearward cleat adjustment. See photo at [www.speedplay.com](http://www.speedplay.com).

**Exustar:** Use 1-F and 1-R Snap-Shims. May require "Extra Shim" under rear-inboard cleat-mounting screw of each base plate.

**Kuips:** \*\*Remove 1-F and 1-R Snap Shims and install 4-F and 4-R Snap Shims.

**Lake 3-hole '08:** \*\*Remove 1-F and 1-R Snap Shims and install 4-F and 4-R Snap Shims.

**Lake 4-hole '08:** Omit base plate. See 4-HOLE CARBON-FIBER SOLES.

**Louis Garneau Carbon Ergo:** Use 1-F and 1-R Snap Shims. May require "Extra Shim" under rear-inboard cleat-mounting screw of each base plate.

**Louis Garneau '07 - '09:** \*\*Remove 1-F and 1-R Snap Shims and install 4-F and 4-R Snap Shims.

**MEM '06 & earlier:** Requires #3 shim kit (Part #13395 sold separately.) \*\*Remove 1-F and 1-R Snap-Shims and install 3-F and 3-R Snap-Shims.

**Nalini '09 CARBONALINI sole:** Use 1-F and 1-R Snap-Shims. May require "Extra Shim" under rear-inboard cleat-mounting screw of each base plate.

**Nalini '08:** \*\*Remove 1-F and 1-R Snap Shims and install 4-F and 4-R Snap Shims.

**Nalini '06 - '07:** Call Speedplay for installation instructions.

**Northwave Aerator & Genetix '06 & earlier:** Requires #3 shim kit (Part #13395 sold separately.) \*\*Remove 1-F and 1-R Snap-Shims and install 3-F and 3-R.

**Northwave Evolution 4-hole:** Omit base plate. Requires Speedplay 4x15-8 screws (Part #13015). See 4-HOLE CARBON-FIBER SOLES.

**Northwave Centurion, Mirage, Solo, Diana Road, Husky:** Omit base plate. Use Northwave-supplied Time/Speedplay insert. Requires 4x13-8 Cleat Fastening Screws (Part #13295) available from Speedplay.

**Pearl Izumi I Beam Sole:** Use 1-F and 1-R snap shims. May require "Extra Shim" under rear-inboard cleat-mounting screw of each base plate.

**Rocket 7 4-hole:** Omit base plate. See 4-HOLE CARBON-FIBER SOLES.

**Shimano carbon-fiber '04 & earlier:** Use 1-F and 1-R Snap-Shims. Compatible only with Zero Pedal Systems.

**Shimano '07:** \*\*Remove 1-F and 1-R Snap Shims and install 4-F and 4-R Snap Shims.

**Sidi noncarbon-fiber '04 & earlier:** Requires #3 shim kit (Part #13395 sold separately.) \*\*Remove 1-F and 1-R Snap-Shims and install 3-F and 3-R Snap-Shims. Do not use the removable Sidi-supplied insert.

**Specialized '09 Full Carbon Pro Models:** Use 1-F and 1-R Snap-Shims.

**Specialized '09 Non Carbon Models:** \*\*Remove 1-F and 1-R Snap Shims and install 4-F and 4-R Snap Shims.

**Specialized '07 - '08:** \*\*Remove 1-F and 1-R Snap Shims and install 4-F and 4-R Snap Shims.

**Specialized '01 - '06:** Use 1-F and 1-R Snap-Shims. May require "Extra Shim" under rear-inboard cleat-mounting screw of each base plate.

**Time carbon-fiber '08:** Use 1-F and 1-R Snap-Shims. May require "Extra Shim" under cleat-mounting screw of each base plate.

**Time '06 models:** Use 1-F and 1-R Snap Shims. May require "Extra Shim" under rear-inboard cleat-mounting screw of each base plate.

**Time TBT Integral 4-hole sole:** Omit base plate. Use Time-supplied Time/Speedplay insert. Requires Speedplay 4x15-8 screws (Part #13015).

**Time TBT 4-hole Universole:** Omit base plate. Requires Speedplay 4x15-8 Cleat Fastening Screws (Part #13015).

**Wellgo:** \*\*Remove 1-F and 1-R Snap Shims and install 4-F and 4-R Snap Shims.

**Xpedo:** \*\*Remove 1-F and 1-R Snap Shims and install 4-F and 4-R Snap Shims.

**\*\*Ensure the factory-installed cleat nuts remain in the base plate.**

#### INCOMPATIBLE SHOES

adidas '07 - '08	Lake 115 & 125	Shimano without 3-hole (Look) configuration
DMT '08 Mag Force & Mag Light	Nalini '05 & Earlier	Shimano carbon fiber '04 & earlier (X Series not compatible)
Exus	Northwave Carbonio	Time Elan
Lake CX 401	Scott '09 Full Carbon Power Transfer sole	All MTB shoes and road shoes with MTB-type lugged soles.

**4-HOLE CARBON-FIBER SOLES:** Must use Stainless Steel Wear Protector Shim Kit (Part #13290), sold separately and available from Speedplay, to prevent contact between the pedal body and the carbon-fiber sole. Carbon fiber is a poor wear surface and unless a wear protector is used, damage to both the pedals and shoes will result.

**WARNING!** - Do not use the Snap-Shim Cleat mounting screws with any previous models of Speedplay X Cleats including the Slim Line Cleat. The Snap-Shim Cleat mounting screw heads are too small and may pull through the older base plates. This may cause the cleat to pull off the shoe causing a fall that may result in severe injury.

\*\*\*See detailed photos of select sole mountings and the latest updates for shoe compatibility at [www.speedplay.com](http://www.speedplay.com) or call the Speedplay Tech Dept. at 1-800-468-6694 (PST). Speedplay Tech Dept. at 1-800-468-6694 (PST).